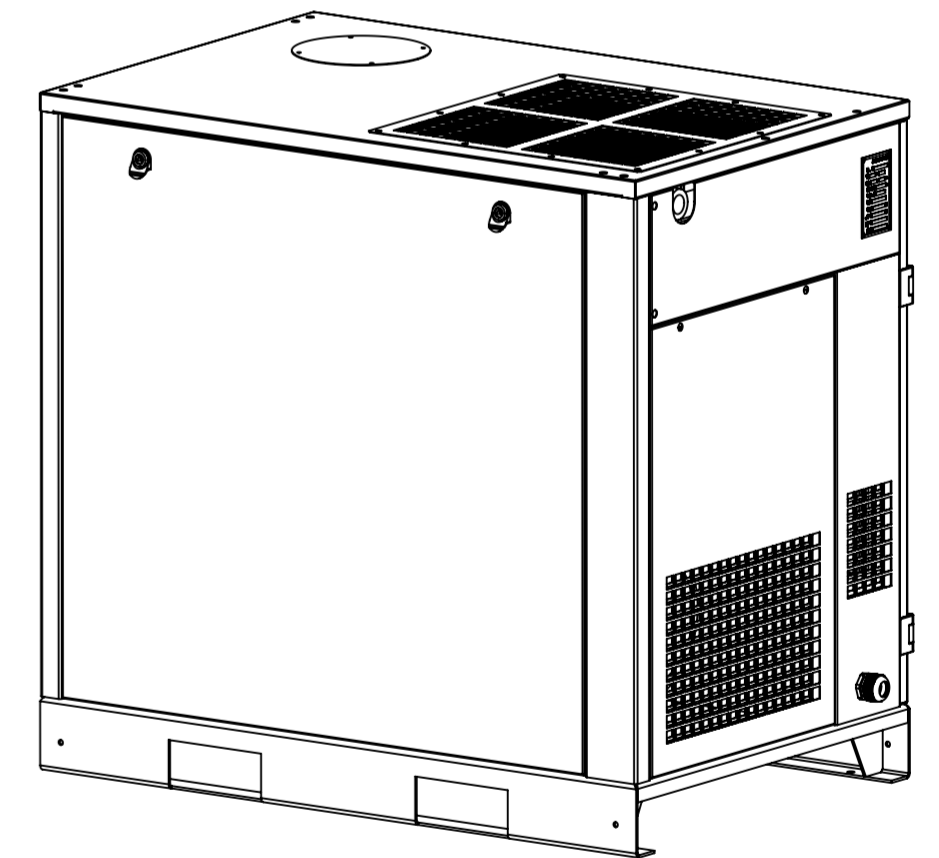
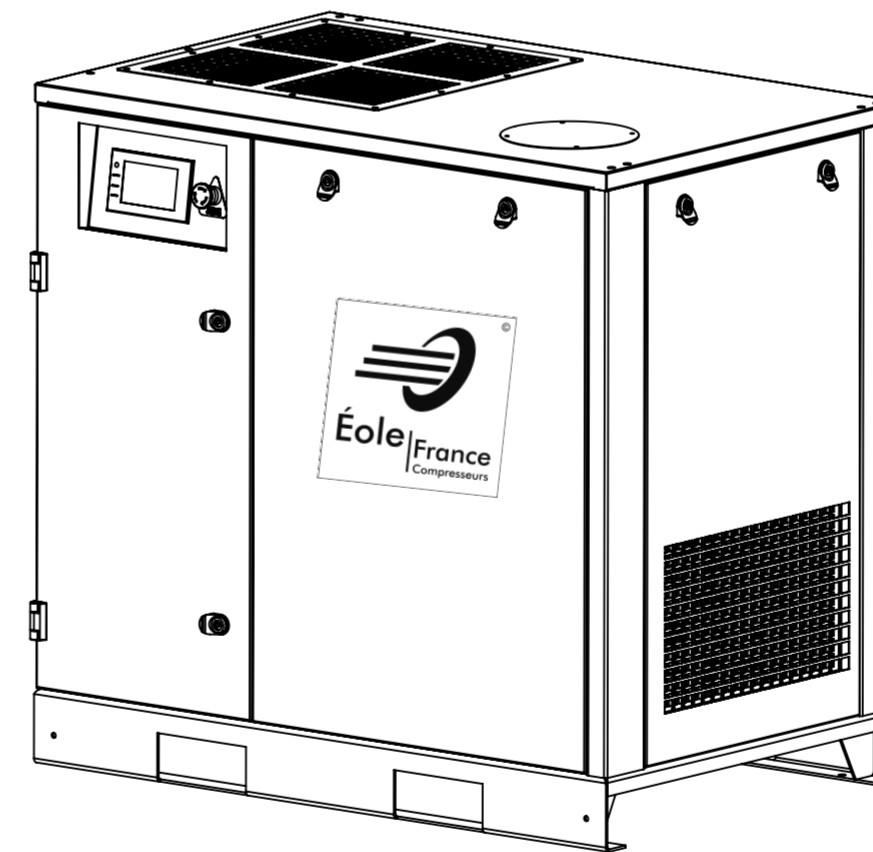


- A) Hot Air Ventilation
- B) Cool Air Inlet
- C) Air Outlet
- D) Power Cable Inlet
- E) Operating Panel



					<b>MODELE</b>					Code Number	
					<b>DD-150</b>					EM36150310001	
Mark	QTY	File No.	sign	Date	Trial	Product	QTY	Weight	Scale		
Designer	LXD	Versions	1.0								
Controller		Judgement									
Check		Date	2022.07.02								

