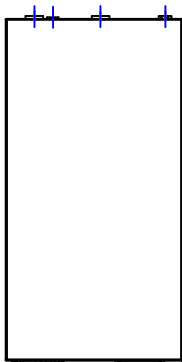
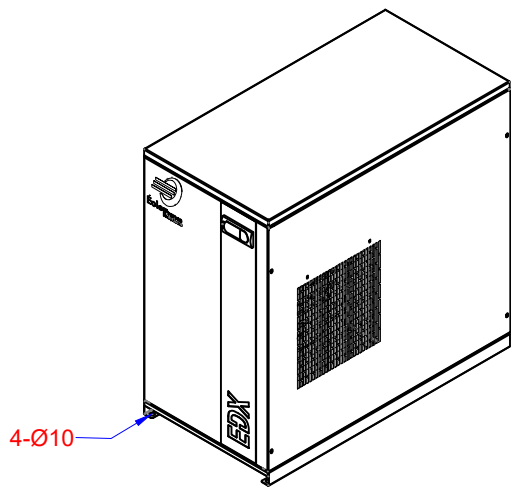


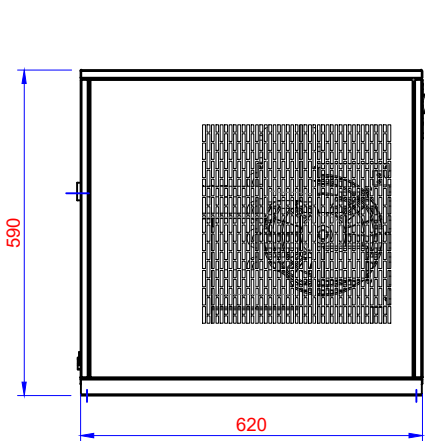
A = MODEL 0030 TO 0070 AIR INLET PIPE 3/4"
 A = MODEL 0100 TO 0130 AIR INLET PIPE 1"
 B = MODEL 0030 TO 0070 AIR OUTLET PIPE 3/4"
 B = MODEL 0100 TO 0130 AIR OUTLET PIPE 1"
 C = CONDENSATE DRAIN
 D = POWER SUPPLY



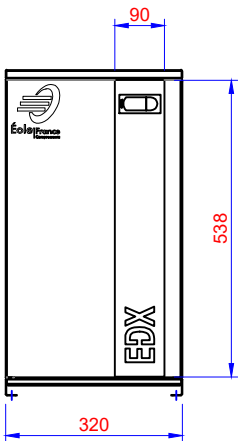
TOP VIEW



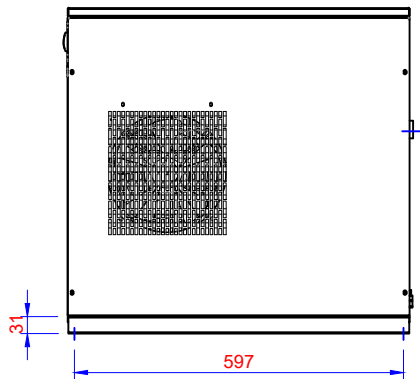
ISOMETRIC VIEW



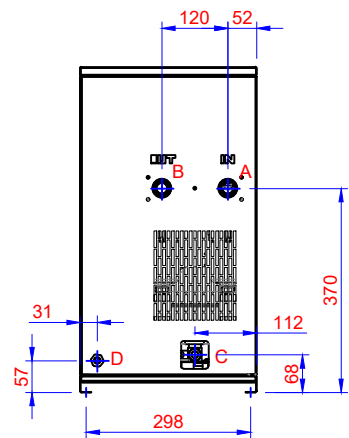
RIGHT VIEW



FRONT VIEW



LEFT VIEW



BACK VIEW

C
B
A	28/05/24	Issue for construction	CK	SC	JB
Rev.	Date	Description	Drawn	Checked	Approv.

Refrigerant : R513A
 Unit: mm.
 Color: - Weight: -
 Page: 1 Scale: -
 Design n° : 111A-0244A-25

SUPPLY LIMITS
 CUSTOMER SUPPLIER

LOW PRESSURE DRYER
EDX-SA
 Model 0030 to 0130
 Dimensional Drawings - 2D