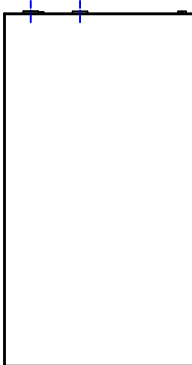
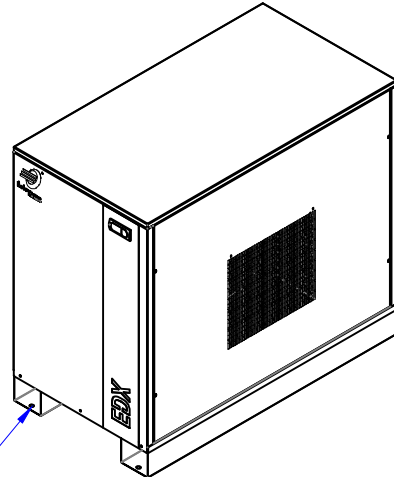


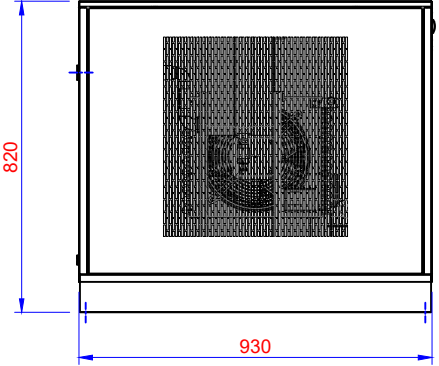
- A = MODEL 0210 AIR INLET PIPE 1"
- A = MODEL 0400 AIR INLET PIPE 1 1/2"
- A = MODEL 0470 AIR INLET PIPE 2"
- B = MODEL 0210 AIR OUTLET PIPE 1"
- B = MODEL 0400 AIR OUTLET PIPE 1 1/2"
- B = MODEL 0470 AIR OUTLET PIPE 2"
- C = CONDENSATE DRAIN
- D = POWER SUPPLY



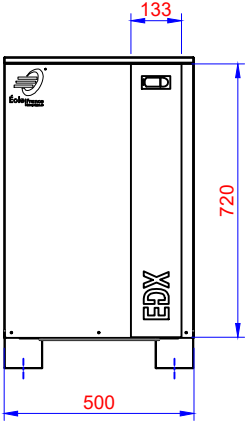
TOP VIEW



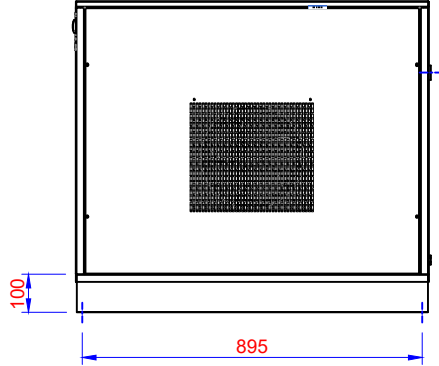
ISOMETRIC VIEW



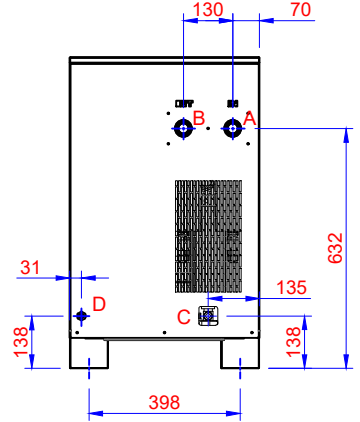
RIGHT VIEW



FRONT VIEW



LEFT VIEW



BACK VIEW

C	.	.	.	.	.
B	.	.	.	.	.
A	28/05/24	Issue for construction	CK	SC	JB
Rev.	Date	Description	Drawn	Checked	Approv.

**SUPPLY LIMITS**  
**CUSTOMER SUPPLIER**

LOW PRESSURE DRYER		Refrigerant : R513A	
<b>EDX-SA</b>		Unit: mm.	
Model 0210 to 0470		Color: -	Weight: -
Dimensional Drawings - 2D		Page: 1	Scale: -
		Design n° : 111A-0344A-25	