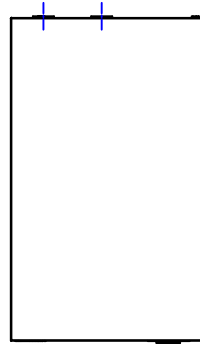
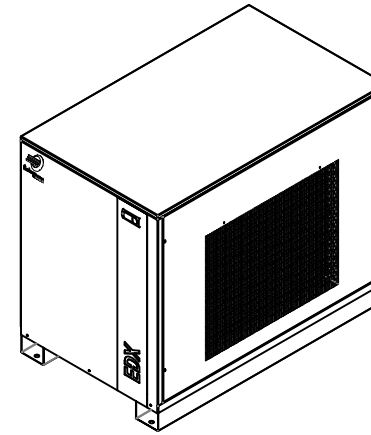


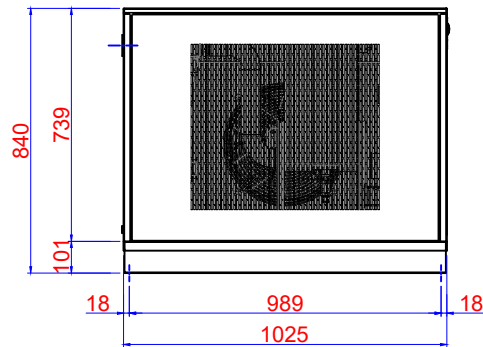
A = AIR INLET PIPE 2"
 B = AIR OUTLET PIPE 2"
 C = CONDENSATE DRAIN
 D = POWER SUPPLY



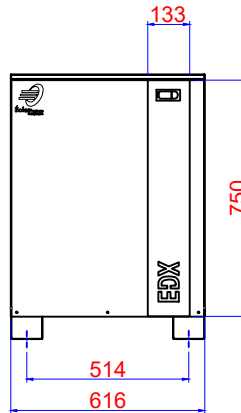
TOP VIEW



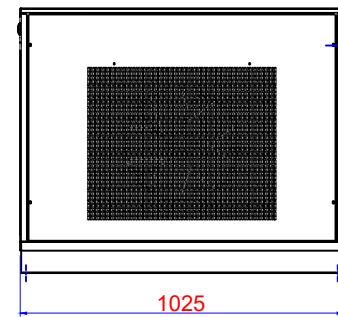
ISOMETRIC VIEW



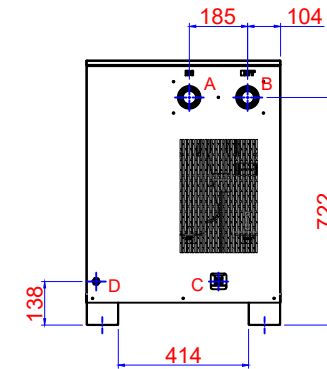
RIGHT VIEW



FRONT VIEW



LEFT VIEW



BACK VIEW

C
B
A	28/05/24	Issue for construction	CK	SC	JB
Rev.	Date	Description	Drawn	Checked	Approv.

Refrigerant : R513A Unit: mm. Color: - Page: 1 Design n° : 111A-0444A-25		Weight: - Scale: -
LOW PRESSURE DRYER EDX-SA Model 0600 to 0830 Dimensional Drawings - 2D		

SUPPLY LIMITS
 CUSTOMER SUPPLIER