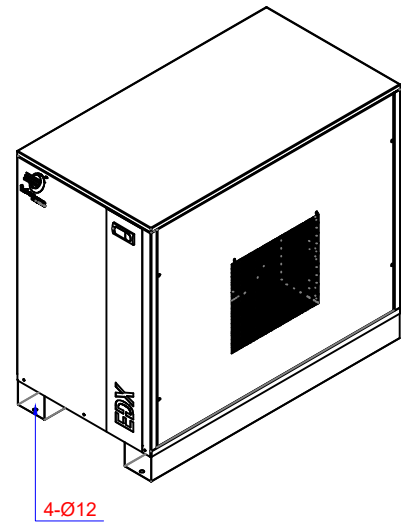


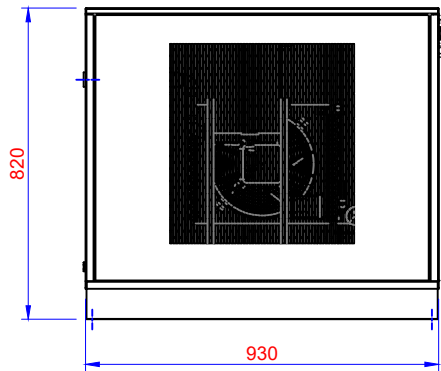
A = MODEL 0210 AIR INLET PIPE 1"  
 A = MODEL 0400 AIR INLET PIPE 1 1/2"  
 A = MODEL 0470 AIR INLET PIPE 2"  
 B = MODEL 210 AIR OUTLET PIPE 1"  
 B = MODEL 0400 AIR OUTLET PIPE 1 1/2"  
 B = MODEL 470 AIR OUTLET PIPE 2"  
 C = CONDENSATE DRAIN  
 D = POWER SUPPLY



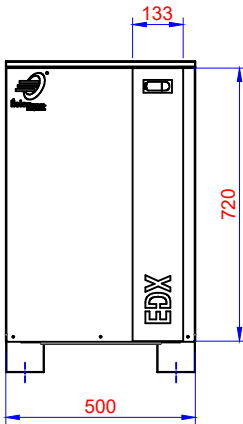
TOP VIEW



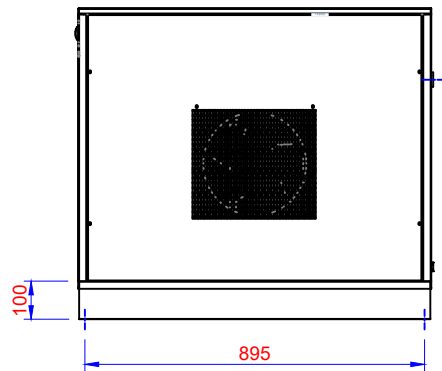
ISOMETRIC VIEW



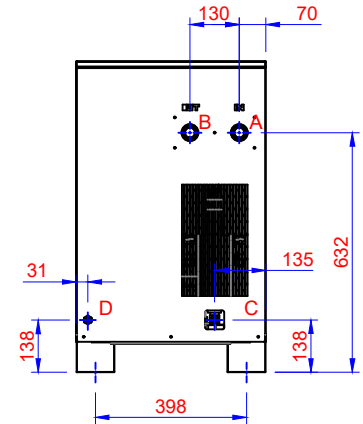
RIGHT VIEW



FRONT VIEW



LEFT VIEW



BACK VIEW

C	.	.	.	.	.
B	.	.	.	.	.
A	01/02/24	Issue for construction	CK	WN	SS
Rev.	Date	Description	Drawn	Checked	Approv.

SUPPLY LIMITS  
 CUSTOMER SUPPLIER

LOW PRESSURE DRYER	Refrigerant : R134C
<b>EDX</b>	Unit: mm.
Model 0210 to 0470	Color: -
Dimensional Drawings - 2D	Weight: -
	Page: 1
	Scale: -
	Design n° : 111A-0344A-25