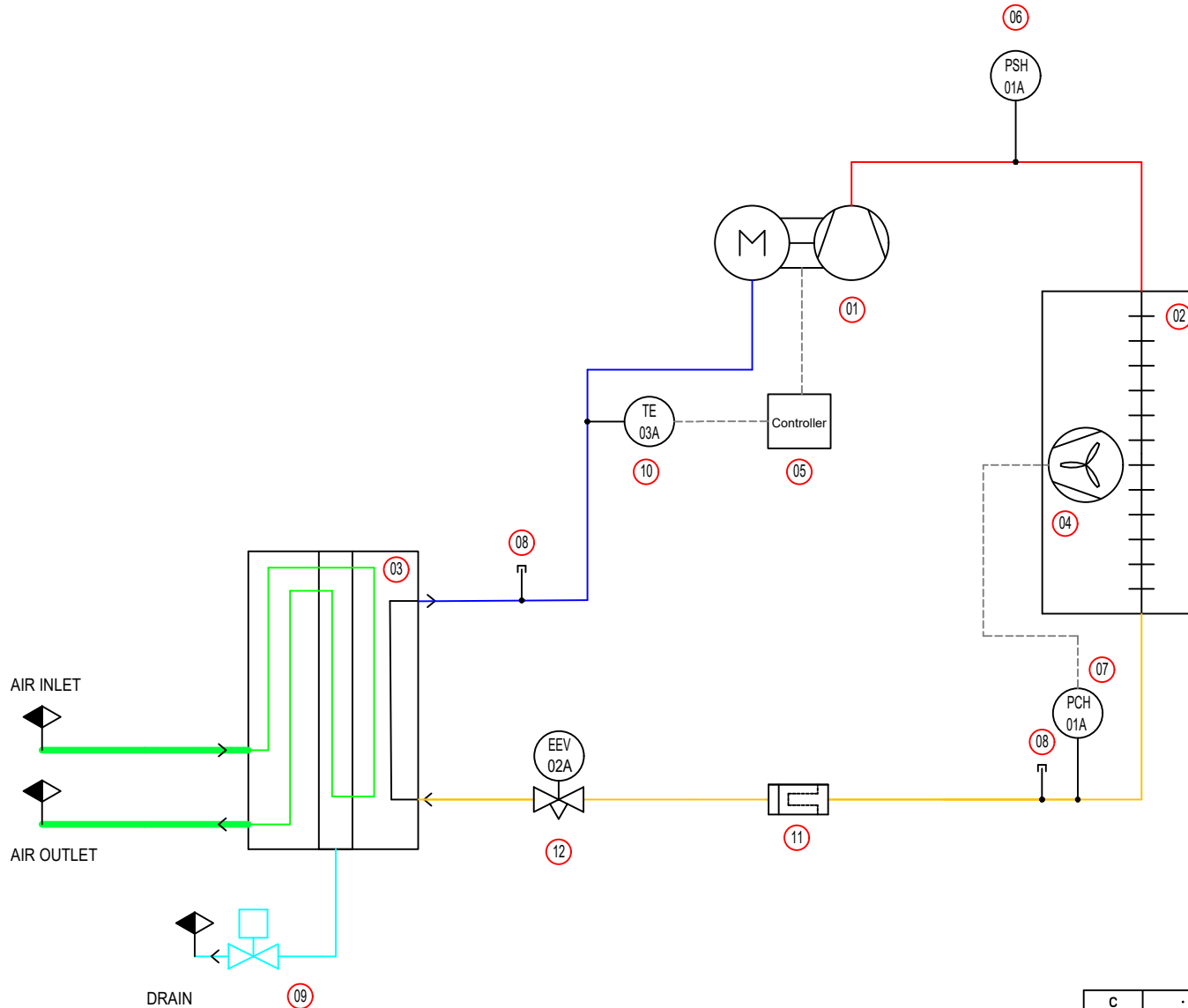


Pos.	Description	No.
01	Compressor / Compresseur	1
02	Air cooled condenser / Condenseur à air	1
03	Evaporator 3 in1 / Evaporateur 3 en 1	1
04	Axial Fan / Ventilateur	1
05	Controller / Régulateur	1
06	Pressure safety switch / Pressostat sécurité HP	1
07	Pressure control fan/ Pressostat ventilation	1
08	Schroeder valve / Vanne Schoder	2
09	Solenoid valve / Electrovanne	1
10	Temperature Sensor / Capteur de température	1
11	Filter dryer / Filtre deshydrateur	1
12	Expansion valve (constant valve) / Detendeur (pression constante)	1



C
B
A	01/02/24	Issue for construction	CK	WN	SS
Rev.	Date	Description	Drawn	Checked	Approv.

SUPPLY LIMITS
CUSTOMER 
SUPPLIER

LOW PRESSURE DRYER	Refrigerant : R134A
EDX	Unit: -
Model 0030C	Color: -
Piping and Instrumentation Diagram (P&ID)	Weight: -
	Page: 1
	Scale: -
	Design n° : 111D-0144A-25